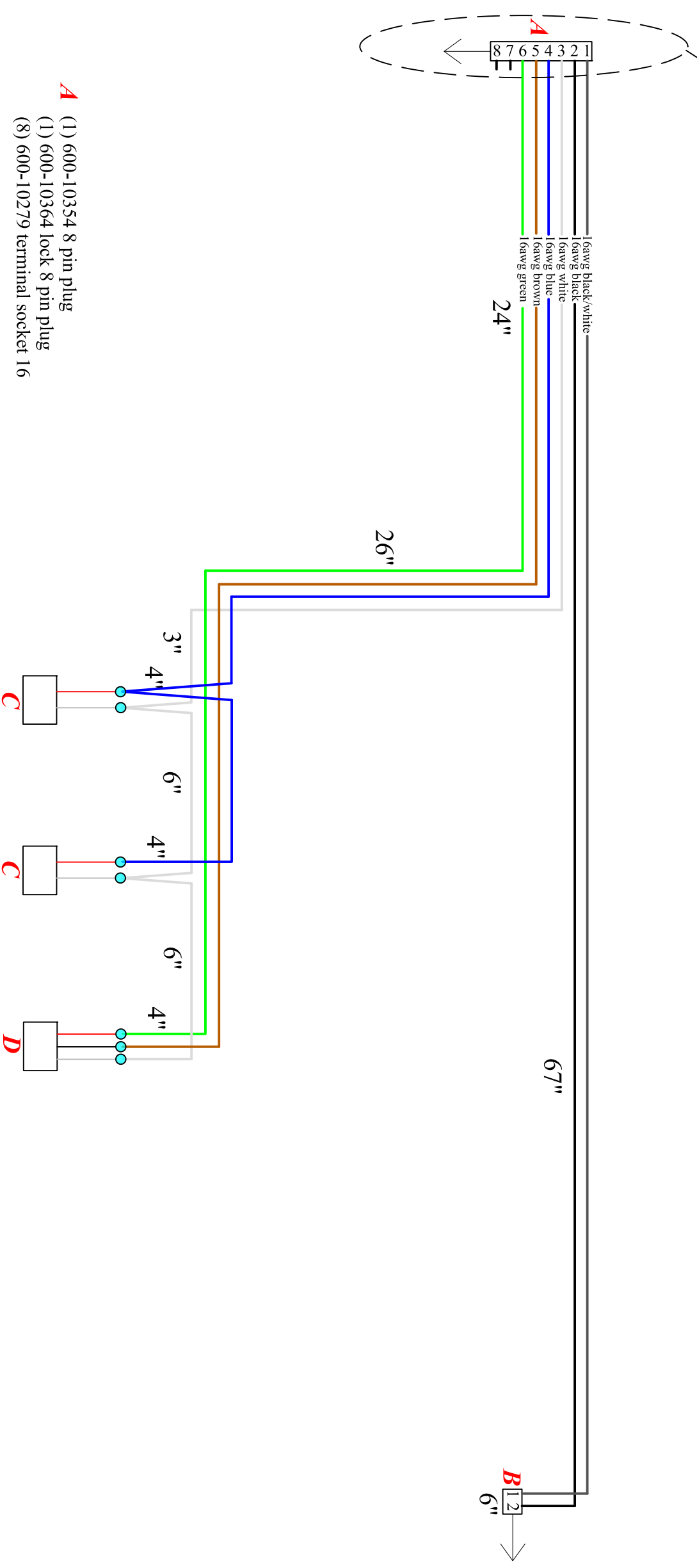


Bag and tape connector to harness.



- A** (1) 600-10354 8 pin plug
- (1) 600-10364 lock 8 pin plug
- (8) 600-10279 terminal socket 16
- B** (1) 600-10290 2 pin plug
- (1) 600-10291 lock 2 pin plug
- (2) 600-10279 terminal socket 16
- C** (1)600-40041 Pigtail 2 Post X2
- D** (1)600-40042 Pigtail 3 Post
- (1) 600-10306 blue heat shrink butt connector X7

NOTICE: THIS DRAWING CONTAINS PROPRIETARY INFORMATION. IT IS SUBMITTED IN CONFIDENCE AND IS TO BE USED FOR THE PURPOSES FOR WHICH IT IS SUBMITTED. ANY REUSE, REPRODUCTION, TRANSMISSION, OR OTHER DISSEMINATION OF THIS INFORMATION IS NOT TO BE MADE WITHOUT WRITTEN AUTHORIZATION.		DRAWN BY: John Butrick		990 VERNON RD. SUMMIT WATHENA, KS. 66090 PHONE: (785) 989-3100 FAX: (785) 989-3563	
DATE CREATED: 8/28/12		DATE CHECKED:		TRUCK BODIES	
CHECKED BY:		TRUCK NUMBER		P4 Compartment Harness	
TRUCK NUMBER		SHEET		SIZE	
6786				PART NUMBER	
				REV	